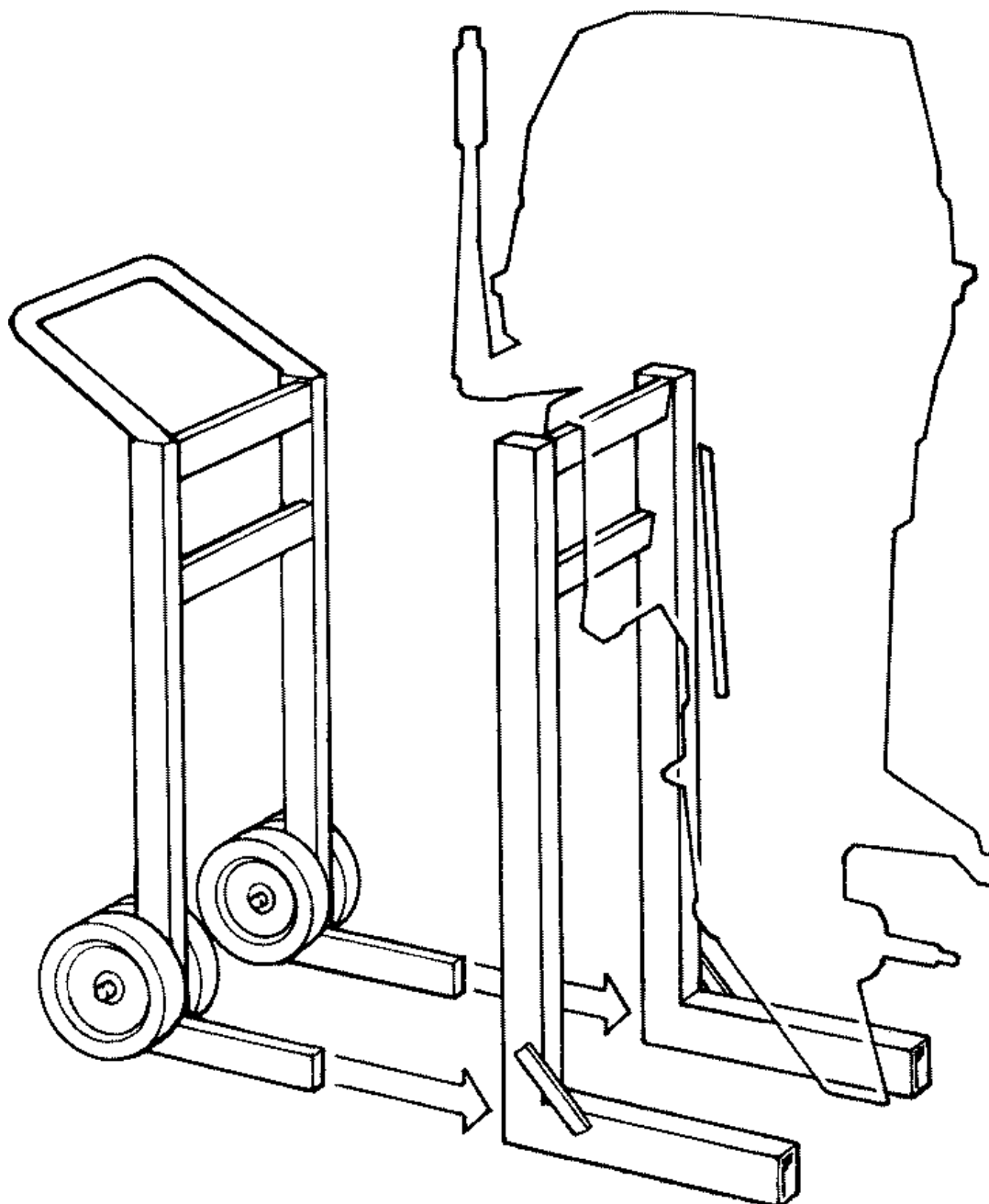


L-Stand

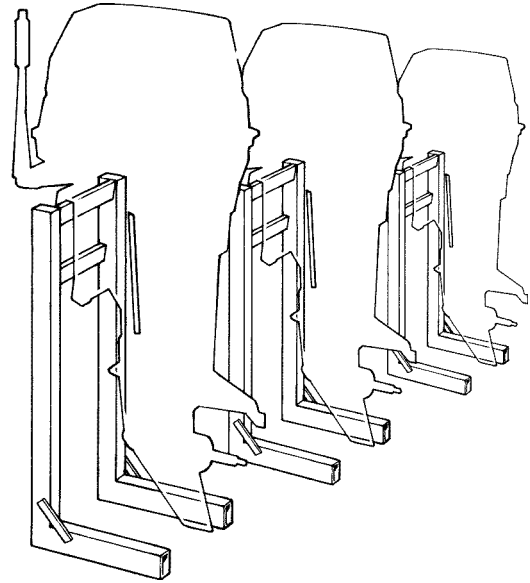
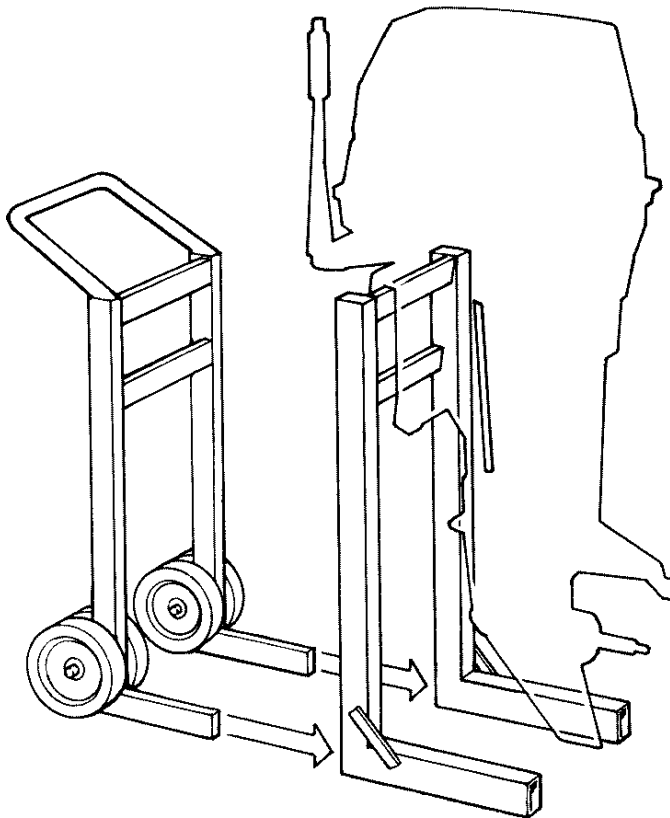




L-Stand

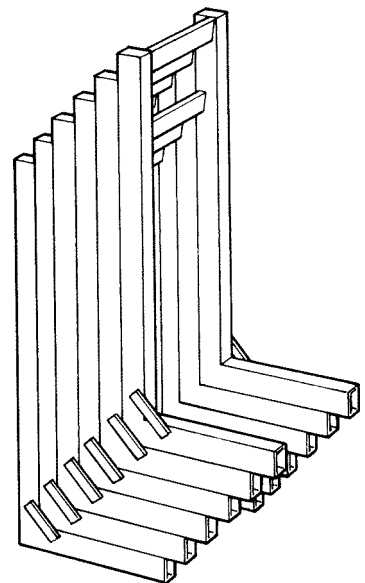
Displaying

Stock your NEW outboards in a smart and practical way



Storage

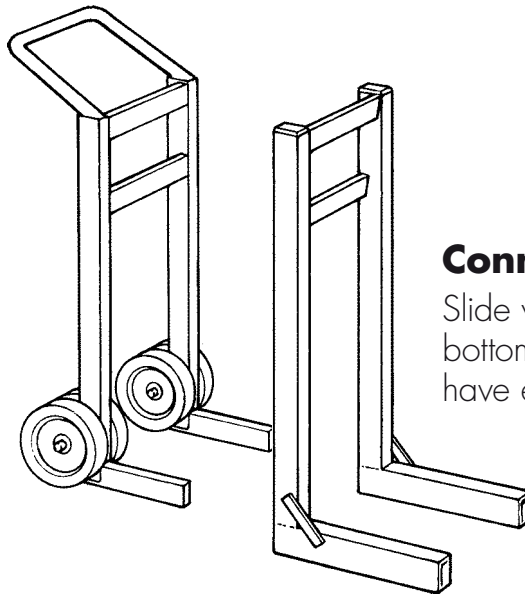
With this easy and safe system you can use the height of the walls and save expensive floor space





BOATHANDLING SYSTEMS

L-Stand



Connecting

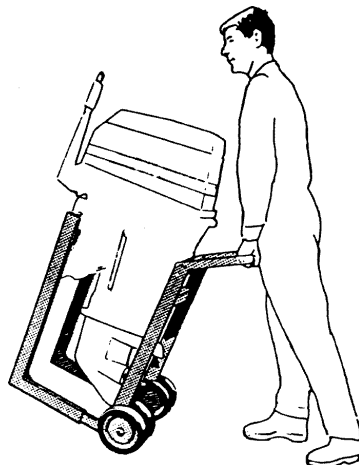
Slide your L-Lifters forked into the bottom tubes of the L-stand and you have engaged the system



Lifting

With our ingenious L-Lifter you move your outboard and the L-Stand at the same time

- When cleaning
- Redecorating
- When delivering
- In your workshop



Handling

With this fantastic L-Lifter and L-Stand you give far better service

L-Stand

Stand/Lifter

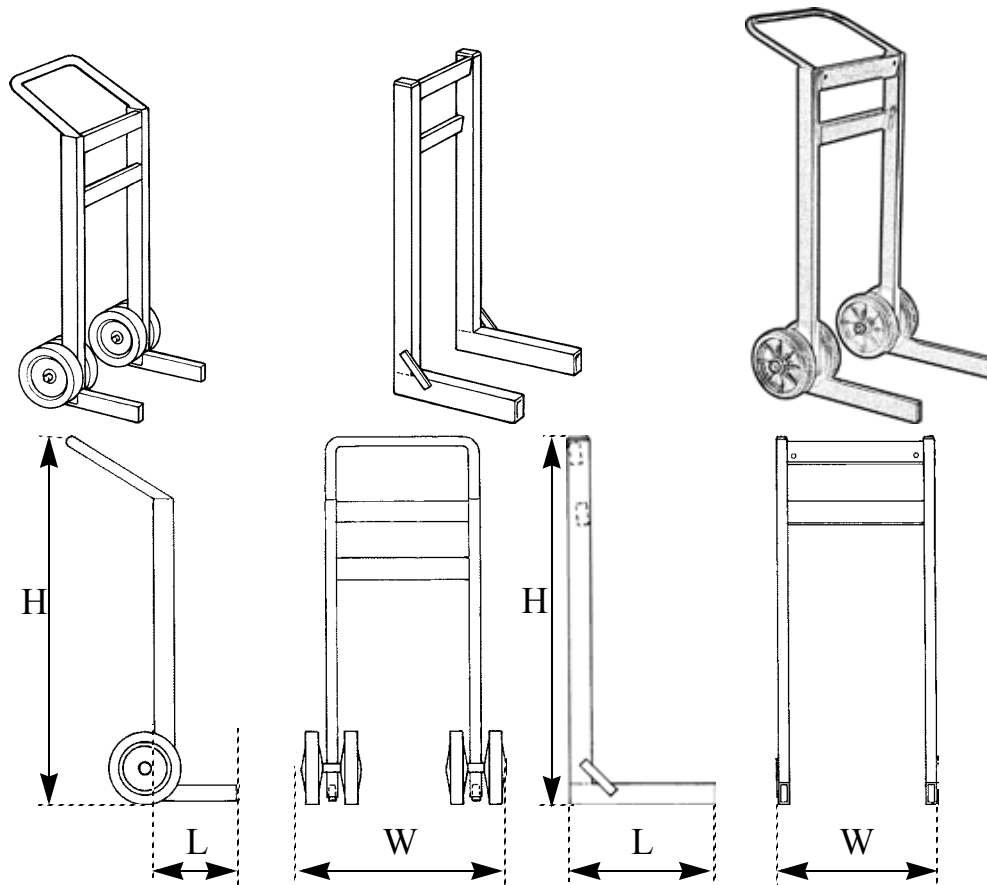
Type TLL 150/225

Stand

Type TLS 150/225/325

Engine/Lift

Type L 150/225



Type	Dimensions (mm)			Weight (kg)	Max load (kg)
	H	L	W		
TLL 150	850	250	600	14,5	150
TLS 150	910	400	435	9	
L 150	910	400	600	14,5	
TLL 225	900	250	725	20	225
TLS 225	960	500	535	14,5	
L 225	960	500	725	20	
TLS 325	1110	600	535	23	325

DATA:

Frame: Welded steel tubes

Wheel: 2 double set with synthetic rims and rubber tyres

Surface finish: Black paint