

G-C Trailer



The **G-C Trailer** is developed and constructed by professionals for boat-yards and marinas. All types of boats – motor or sailing boats, regardless of hull form – can be handled. The trailer is constructed so that one person can easily handle it alone.

The **G-C Trailer** has bogie-mounted wheels that make it go steady and safely also over rough ground.

The **G-C Trailer** has a single axle design that make it easy to operate

in narrow spaces both forward and backward.

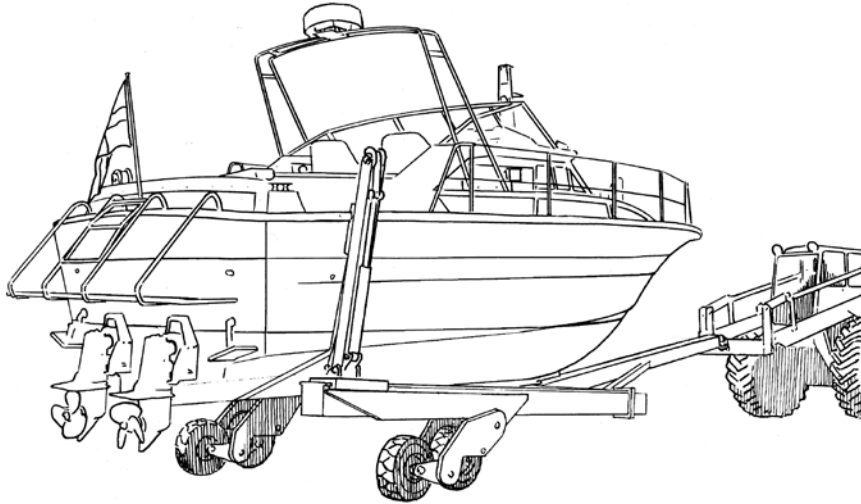
The **G-C Trailer** is constructed in steel for safe, uncomplicated and long-standing use for professionals with the highest demands.

The **G-C Trailer** works together with most pallet systems but together with **SteelCradle/TYRESÖVAGGAN**, **SteelBarStand/TYRESÖBOCKEN** and **SteelStand/TYRESÖSTÖTTAN** you will have an unbeatable system.



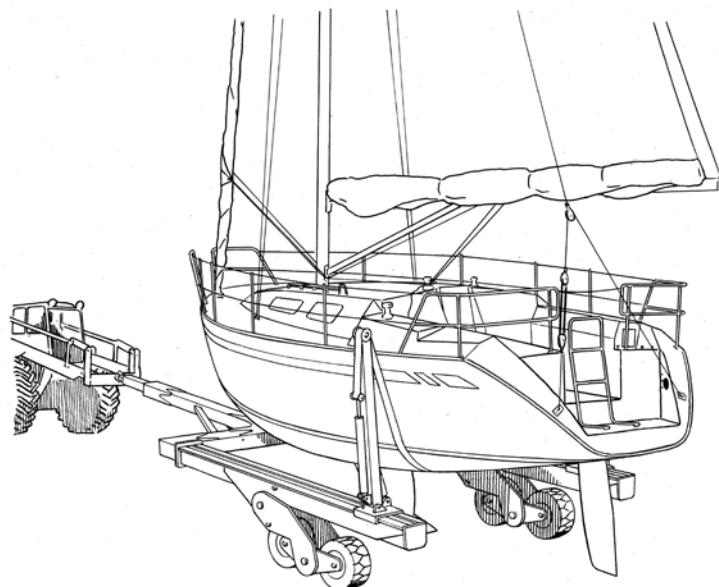
BOATHANDLING SYSTEMS

G-C Trailer



- Hydraulically adjustable width and length.
- The width is easily adjusted to the cradle you wish to straddle.
- Hydraulic belt tension and adjustment of the struts make it possible to handle all types of boats.
- The draw bar is adjustable in length which makes the handling on a ramp easier as well as to operate in narrow spaces.
- All surfaces that are in direct contact with the boat are protected to avoid scratches or other damages. In protection of the boat hull, a 150 mm wide shoulder harness with a detachable C-clamp is used.

If you need further information, do not hesitate to contact us.



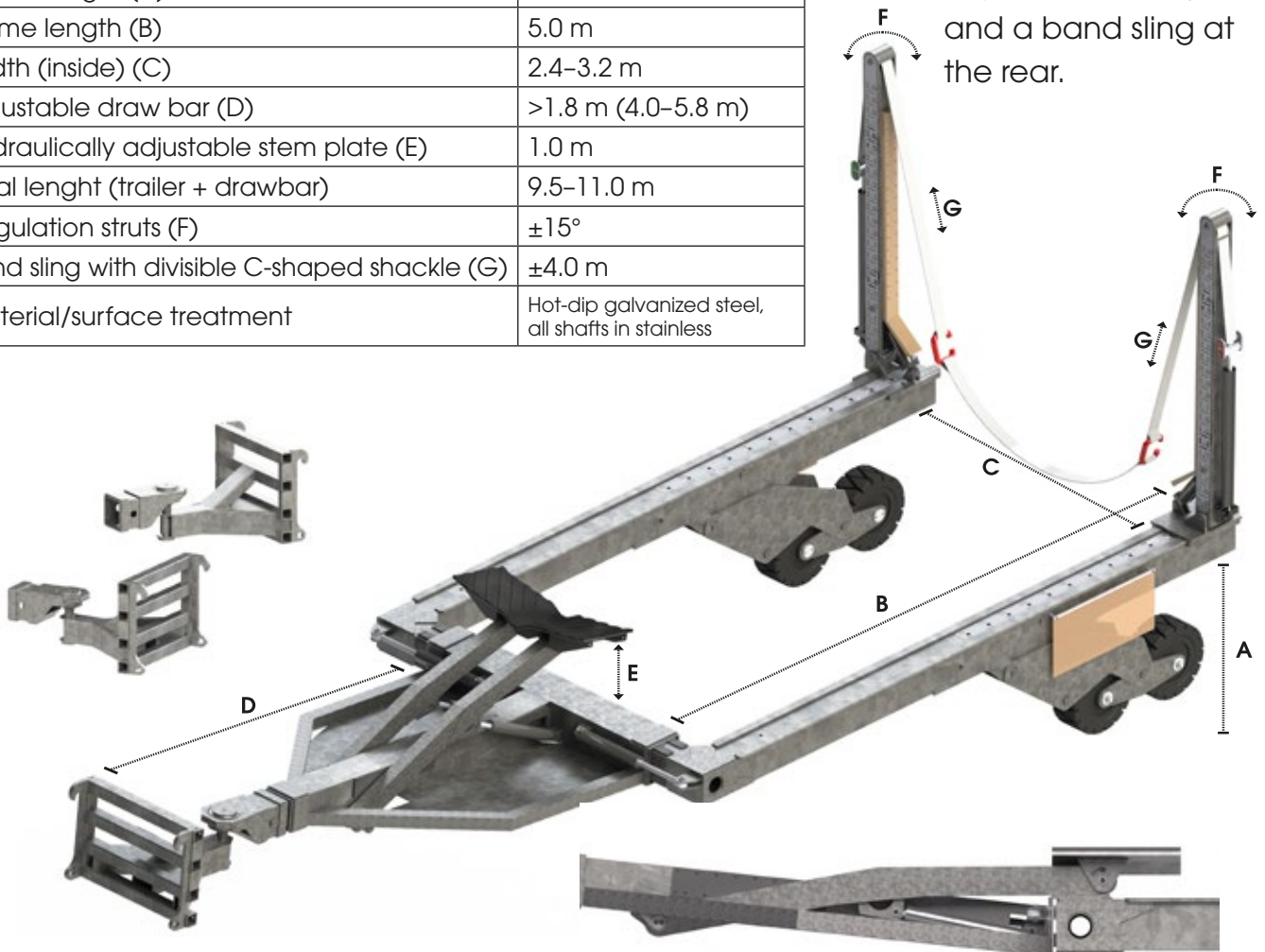


BOATHANDLING SYSTEMS

G-C Trailer

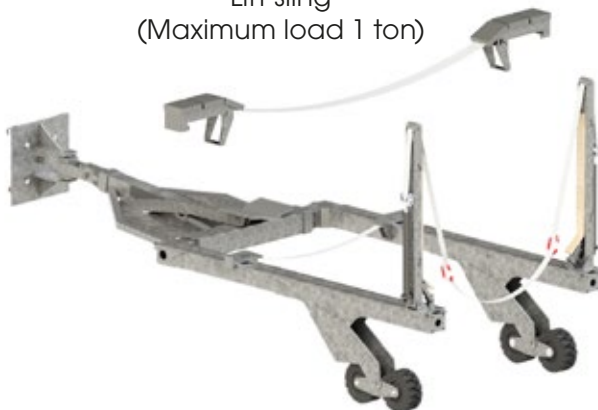
Max load	15 tons
Frame height (A)	0.7–1.5 m
Frame length (B)	5.0 m
Width (inside) (C)	2.4–3.2 m
Adjustable draw bar (D)	>1.8 m (4.0–5.8 m)
Hydraulically adjustable stem plate (E)	1.0 m
Total length (trailer + drawbar)	9.5–11.0 m
Angulation struts (F)	±15°
Band sling with divisible C-shaped shackle (G)	±4.0 m
Material/surface treatment	Hot-dip galvanized steel, all shafts in stainless

The boat rests on the adjustable stem plate and a band sling at the rear.



Hydraulically adjustable stem plate.

Lift sling
(Maximum load 1 ton)



The boat rests on front and rear sling (only for smaller/lightweight boats).

Lift brackets



The boat rests on a stem plate and lift brackets (for hulls with sharp angles).



BOATHANDLING SYSTEMS

G-C Trailer

TECHNICAL DATA

Weight	CE-signed Approximately 4,5 tons
Maximum load	15,0 tons
Allocation of weight	5 tons stem plate + 5 tons bogie
Lifting height, bogie	Approximately 0,8 m (hydraulically operated)
Widening	Approximately 0,8 m (hydraulically operated)
Adjustment of draw bar	Approximately 1,8 m (hydraulically operated)
Stem plate (adjustment in height)	Approximately 1,0 m (hydraulically operated)
Hydraulic system	Radio operated
Working pressure	170–200 Bar
Valves	Ratio controlled
Belt	Divisible with C-shackle
Tension	Approximately 4,0 m (hydraulically operated)
Width	150 mm
Frame	
Quality of material	S355 J2H
Strength	FEM Analysis
Rust protection	Galvanized
Wheels/rims	
Type	Massive/soft, puncture protected
Dimension	23x9–10
Number of wheels	4
Maximum load per wheel	3,5 tons
Cylinders	
Material	Piston rod, stainless, AISI 329
Rust protection	Meets C4
Safety	Hydraulic locks on all load-carrying cylinders
Shafts	
Material	Stainless

With reservations for changes in construction

All the material used in **G-C Trailer** is chosen to guarantee minimal maintenance and high security in combination with the best functionality. A quality product with the longest life span.

